

**LEGEND:**

- M164 LINE: - - - - -
- M164 STR: 32



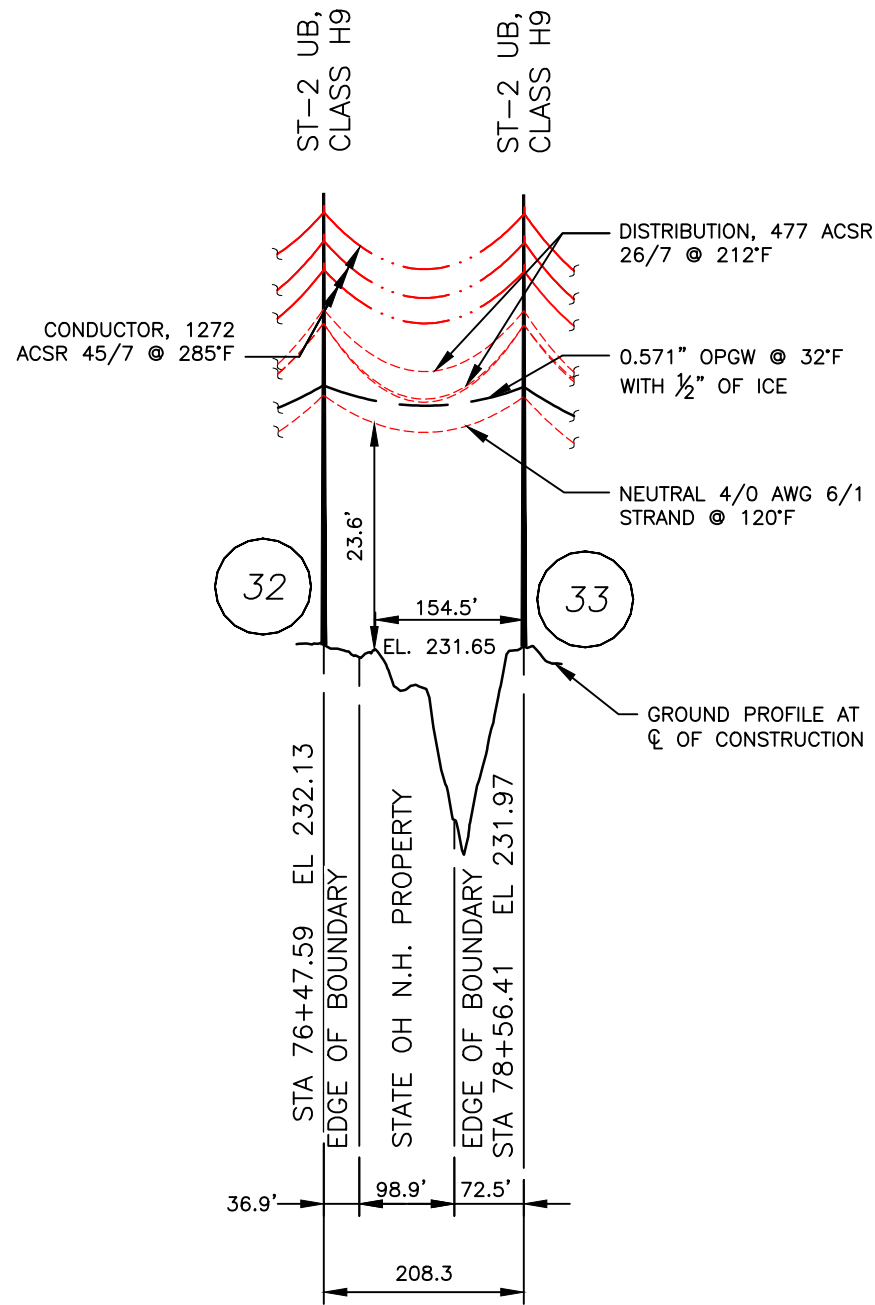
M164, 115kV LINE & 321, 34.5kV LINE  
 STATE OWNED LAND CROSSING, LOCATION PLAN  
 MANCHESTER, NEW HAMPSHIRE  
 EXHIBIT 1

T	0
DRAWN JJD	
ENGINEER KJD	
CHECKED CRP	
APPROVED -	
DATE 4/5/2021	

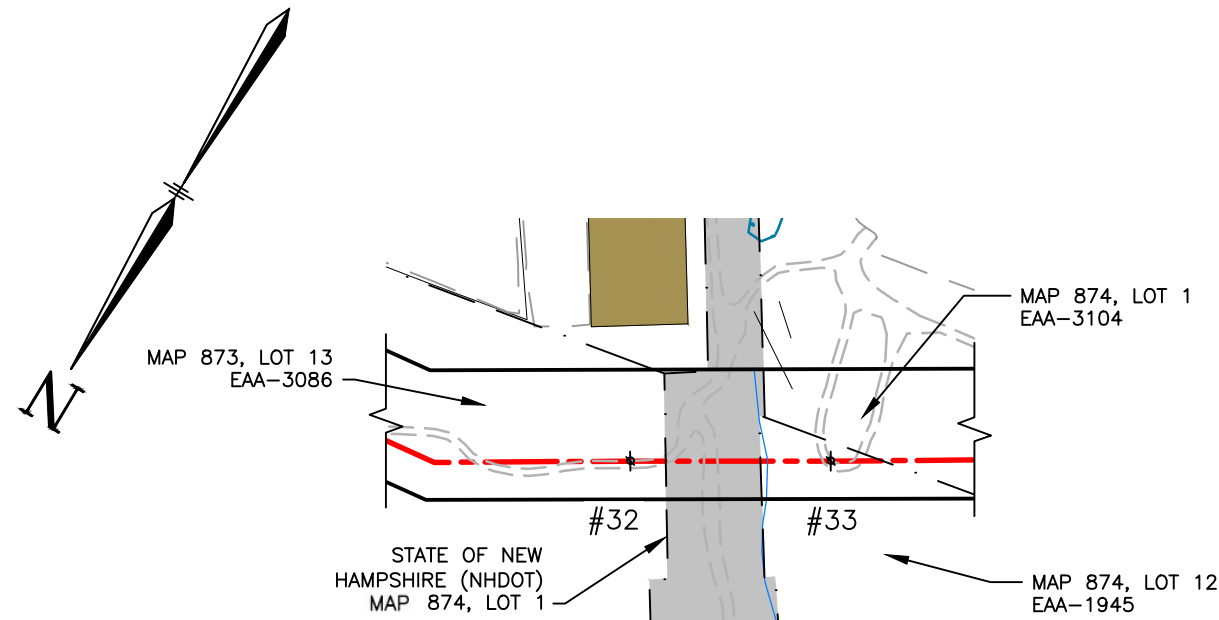
0	ISSUED TO PUC	05/19/21	JJD	CRP	KJD
DWG REV	EPN/DESCRIPTION	CONT/PE#	DATE	DRN	CHKD APPR

SCALE 1" = 1200'	FILE: M16443500.DWG
IMAGE:	

DRAWING NO. <b>074043500</b>
---------------------------------



**PROFILE VIEW**  
SCALE: HORZ 1" = 200'  
VERT 1" = 20'



**PLAN VIEW**  
SCALE: 1" = 200'

**LEGEND:**

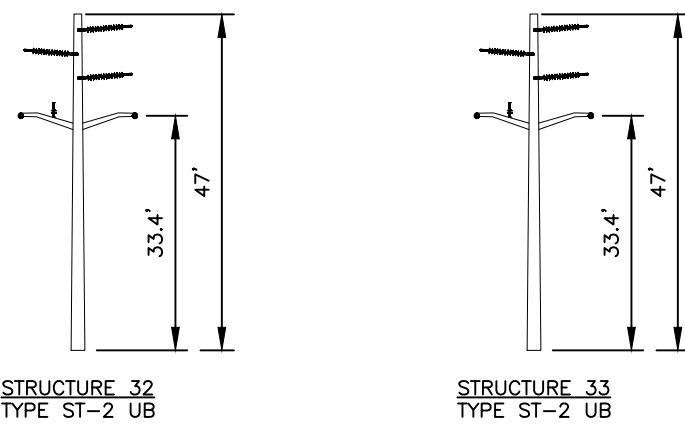
- #90 STRUCTURE
- STATE OF NEW HAMPSHIRE PROPERTY
- PROPERTY BOUNDARY
- M164 LINE 115KV LINE, C OF CONSTRUCTION
- LIMITS OF EVERSOURCE RIGHT OF WAY

**NOTES:**

1. PARCEL INFORMATION OBTAINED FROM NH GRANIT.
2. ELEVATIONS REFERENCED TO THE NORTH AMERICAN VERTICAL DATUM OF 1988.
3. LINE 321 34.5KV DISTRIBUTION UNDERBUILD.

STRUCTURE LOCATION		
STRUCTURE	LONGITUDE	LATITUDE
32	-71.44337155	42.95200033
33	-71.44270368	42.95229628

NESV VERTICAL CLEARANCE (FT) FROM TABLE 232.1			
NATURE OF SURFACE UNDERNEATH WIRES, CONDUCTORS OR CABLES	115KV	34.5KV	NEUTRAL
DOT RAIL TRAIL, TOP RAILS OF RAILROAD	28.1	26.5	23.5



STRUCTURE 32  
TYPE ST-2 UB  
STR 32: IS A EVERSOURCE TYPE ST-2 UB, SINGLE CIRCUIT W/ DISTRIBUTION UNDERBUILD STEEL POLE TANGENT, DELTA CONFIG.

STRUCTURE 33  
TYPE ST-2 UB  
STR 33: IS A EVERSOURCE TYPE ST-2 UB, SINGLE CIRCUIT W/ DISTRIBUTION UNDERBUILD STEEL POLE TANGENT, DELTA CONFIG.

**STRUCTURE DETAIL**  
SCALE: NTS

CABLE SCHEDULE						
WIRE	QTY OF CABLES	DESCRIPTION	DESIGN CONDITIONS			
			MAX DESIGN TENSION (lb)	TEMP (°F)	ICE (in)	WIND (psf)
CONDUCTOR	3	ACSR, 1272 kcmil 45/7, BITTERN	10000	0	0.5	4
DISTRIBUTION	3	ACSR, 477 kcmil 26/7, HAWK	2350	0	0.5	4
OPGW	1	BRUGG 79AY46ACS-1C .571"	4000	0	0.5	4
NEUTRAL	1	4/0 AWG 6/1 STRAND, PENGUIN	2500	0	0.5	4

<b>EVERSOURCE ENERGY</b>		T	0
		DRAWN JJD	ENGINEER KJD
M164, 115kV LINE & 321, 34.5kV LINE STATE OWNED LAND CROSSING MANCHESTER, NEW HAMPSHIRE EXHIBIT 1		CHECKED CRP	APPROVED
		DATE 4/5/2021	
SCALE AS SHOWN	FILE: M16443500.DWG	DRAWING NO. M16443500	

DWG REV	ISSUED TO PUC	EPN/DESCRIPTION	CONT/PE#	DATE	DRN	CHKD	APPR
0				05/19/21	JJD	CRP	KJD